



This is a multi-function thermostat/timer for any part of your heating or hot water system where thermostatic or programmable control is required
The thermostat consists of two main modes:

1. Standalone programmable/non-programmable thermostat

Operates by itself as independent control to the rest of the heating system as a thermostat in either programmable or non-programmable operation.

A, Non-programmable-operates as a simple thermostat where the temperature is held at the set point continuously.

B, Programmable – operates as a fully programmable thermostat with 4 times at which to set a target temperature. This enables you to regulate the temperature in your home by setting specific temperatures for times of day.

2. Single channel timer

Operates by itself as independent timer control for any part of your heating or hot water system.

This enables you to have accurate timer control of your heating and hot water system, with the thermostat ensuring the system operates at the time you require and set, available in 1 minute increments.

SETTING YOUR PROGRAM MODE SELECTION:

Thermostat has been set by default to a programmable thermostat in 5+2days programming (Weekdays + Weekend).To change between programmable, non-programmable and single channel timer follow these steps.

- 1, Switch off the thermostat and press “√” and “⊕” 5 seconds to enter parameter setting menu
- 2, Press “⊕” to change the item to 13
- 3, Press “▼” “▲” to change the large number for the following modes:
00:Thermostat mode. 01:Timer Mode.
- 4, Press power button “⊕” or wait 30S to exit and save all settings

Specification

1. Power supply: 220VAC ± 10%, 50/60 Hz
2. Temperature setting range: 5-35°C
3. Temperature accuracy: ± 0.5°C
4. Temperature control Accuracy: ± 1°C
5. Relay Rating: 5A
6. Remote Sensor Type: NTC10K, B=3950
7. Storage temperature: -20C~60C, Operating temperature: 0~50°C
8. Max Humidity: 5~95%
9. Power consumption: <2W
10. Grade of protection: IP20
11. Backlight: white
12. Installation type: Flush mounting, Hole pitch: 60mm
13. Dimension: H86XW86XD13 mm

User Guide:

ON/OFF: Press power button to switch ON and OFF thermostat.

Temperature Setting: Press “▼” to reduce temperature, press “▲” to raise temperature.

Backlight: Any key press will activate the backlight. Backlights will timeout 6 seconds after last key press.

Mode: Thermostat mode and Timer Mode.

Keypad Lockout: (ONLY available when Item 11 set to 1/2/3): Press “▼” and “▲” for 3 seconds to lock the buttons and press “▼” and “▲” for 3 seconds to unlock.

Setting The Clock:

- Power on thermostat, press “⊕” for 3 seconds .
- 1, the symbol hour flash, press “▼” or “▲” to adjust hour.
 - 2, press “⊕” key, minute flash, press “▼” or “▲” to adjust minute 3, press “⊕” key, week flash, press “▼” or “▲” to adjust week.
 - 3, press “⊕” key to confirm.
- Press “OK” or wait 6 seconds to confirm all the settings above.

Setting The Schedule:

Thermostat MODE (5+2 DAY)

Thermostat is pre-programmed with comfort levels set.
These factory default settings are:

Weekday and weekend – 5/2 day programming				
Mon-Fri	7.00-25°C	9.00-25°C	17.00-25°C	22.00-25°C
Sat-Sun	7.00-25°C	9.00-25°C	17.00-25°C	22.00-25°C

To set/change the program comfort levels follow these steps.

Power on thermostat, press “OK” and “⊕” for 3 seconds.

- 1, No.1 (event 1) and “MON TUE WED THU FRI” display.
- 2, Press “▼” and “▲” to set start hour.
- 3, Press “⊕” and use “▼” and “▲” to set start minute.
- 4, Press “⊕” and use “▼” “▲” to set desired temperature
- 5, Press “⊕” to enter event 2/3/4 and repeat step 2~4
- 6, Press “⊕” to edit “Sat & Sun” and repeat step 1~5
- 7, Press “⊕” or wait 6 seconds to confirm all the settings above
Press “OK” or wait 6 seconds to confirm all the settings above.

SINGLE CHANNEL TIMER MODE

Pre-programmed with timer on and off times set.

These factory default settings are:

Daily programming				
	Period 1	Period 2	Period 3	Period 4
On time	5:30	11:30	17:00	20:00
Off time	7:00 ;	12:00	18:00	22:00

To set/change the program comfort levels follow these steps.

Power on thermostat, press “OK” and “⊕” for 3 seconds.

- 1, Press “▼” and “▲” to set “Timer on” hour.
- 2, Press “⊕” and use “▼” “▲” to set “Timer on” minute.
- 3, Press “⊕” and use “▼” “▲” to set “Timer off” hour.
- 4, Press “⊕” and use “▼” “▲” to set “Timer off” minute.
- 5, Press “⊕” to enter event 2/3/4 and repeat step 1~4.
- 6, Press “⊕” to edit “Sat & Sun” and repeat step 1~5.
- 7, Press “⊕” or wait 6 seconds to confirm all the settings above.
Press “OK” or wait 6 seconds to confirm all the settings above.

Parameter Settings:

Switch off the thermostat and press “⊕” and “▲” 5 seconds to enter parameter setting menu, press “OK” or “⊕” to change the item, and press “▼” “▲” to change the value, press power button “⊕” or wait 30S to exit and save all settings.

1	Sensor type	1: Internal sensor only (Default) 2: External air sensor only 3: External floor sensor only 4: Internal sensor+ floor sensor 5: External air sensor+ floor sensor
2	Fahrenheit/Celsius	F/C (Default=Celsius)
3	Freeze protection	0: Disable (Default) 1: Enable
4	Programmable	1: Non-programmable 2: N/A 3: 5+2 Programmable (Default)
5	Power up status	0: System Off(default) 1: System last state before power off 2: System On
6	Temperature Display	0 = show room temperature (Default) 1 = show setpoint
7	Display temp. adjustment	-4C~4C(Default=0)
8	Dead band	1-4C(Default=1)
9	Maximum setpoint	20-35C (Default value=35C)
10	Minimum setpoint	5-18C (Default value=5C)
11	Keypad lockout	0 All keys available(default) 1 All buttons locked out 2 System button Locked out 3 All buttons locked out except System
12	Floor sensor temperature limit	20-60C(68F-140F) only available when item 1=04/05(Default=28C)
13	Product type (only for water heating)	0: Thermostat mode(Default) 1: Timer mode

Table Explanation:

The following settings are optional parameters to change how the thermostat works and what it displays. In many cases these need not be adjusted.

1-Sensor type: has the option of using its own built-in air sensor (default), a remote air sensor, floor sensor or a combination of these sensors for floor limit

protection when both an air and floor sensor are used.

2-Fahrenheit/Celsius: has the option of displaying the temperature in Celsius (default) and Fahrenheit.

3-Freeze Protection: option to maintain frost protection even when the thermostat is off, as long as power is still maintained to the thermostat. This feature is enabled by Disable.

4-Programmable: operate as a non-programmable thermostat or a 5+2 Days programmable thermostat


5-Power Up Status: can be set to come on or stay off when power is turned on to the thermostat. Default is system off.

7- Display Temperature adjustment: calibrate the room temperature by the range from -4C to 4C.

8-Dead Band: has the option to changing the switching differential between 1 and 4C. Default is 1C.

9-Maximum setpoint: option to adjust the maximum temperature set point, range is from 20C to 35C. Default is 35C.

10-Minimum setpoint: option to adjust the minimum temperature set point, range is from 5C to 18C. Default is 5C.

11- Keypad lock: can be set to 4 types for different people authorization, the symbol  will show on the screen.

12- Floor sensor temperature limit: option to adjust the floor limit temperature used when a floor sensor is installed and connected. This range is from 20C to 60C. Default is 28C.

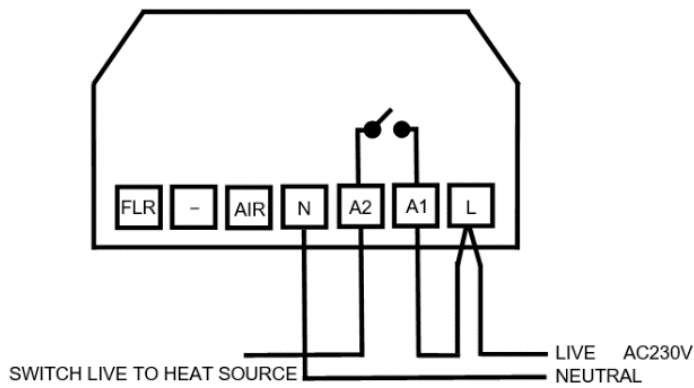
13-Product type: option to operate as a thermostat or as a single channel timer.

Dimension:

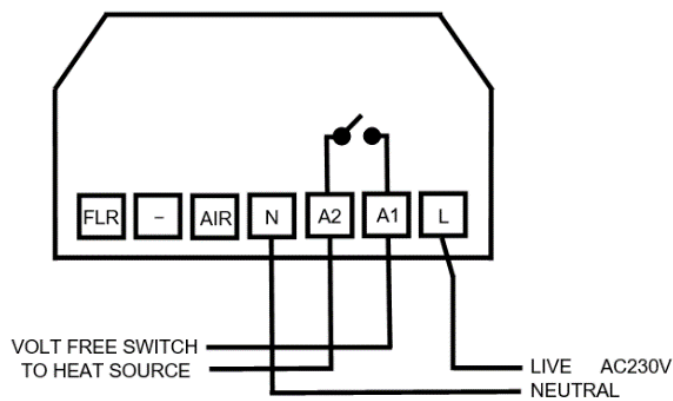


Wiring Diagram

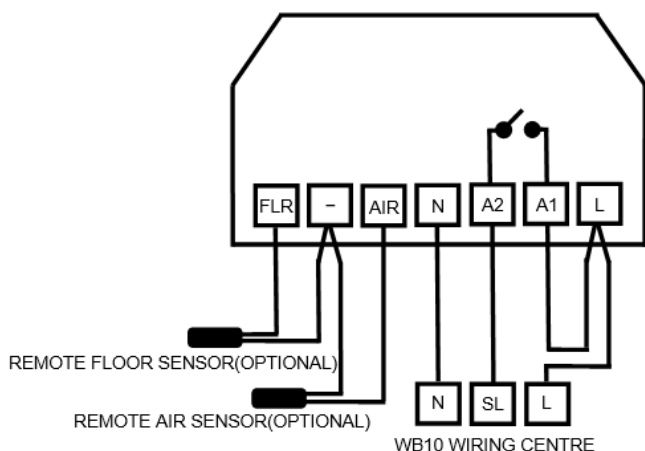
1, Basic wiring diagram with switch live for heat item.



2, Volt free switching for heat item

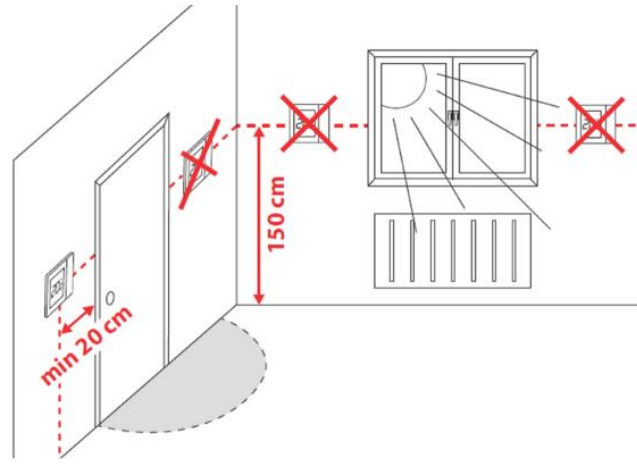


3, Connecting to WB10 Wiring Centre.



Mounting and Installation

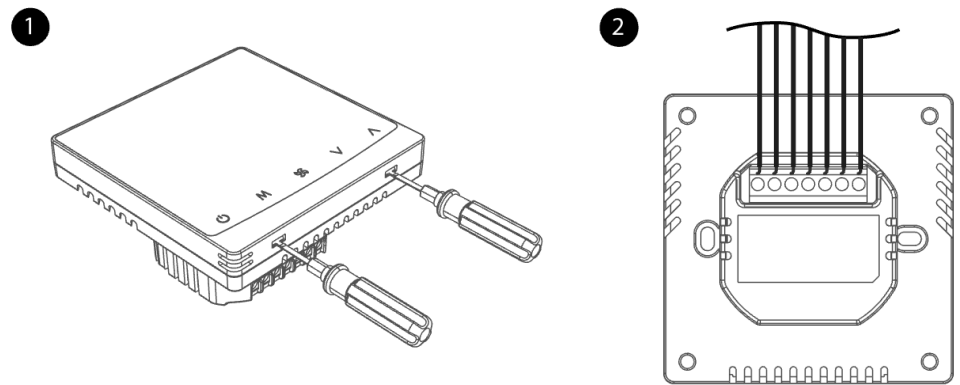
Mount the room thermostat on the conduit box. Do not mount on a wall in niches or bookshelves, behind curtains, above or near heat sources. Mount about 1.5M above the floor



Devices must be mounted on clean, dry indoor place without direct airflow from a heating / cooling device, and not be exposed to dripping or splashing

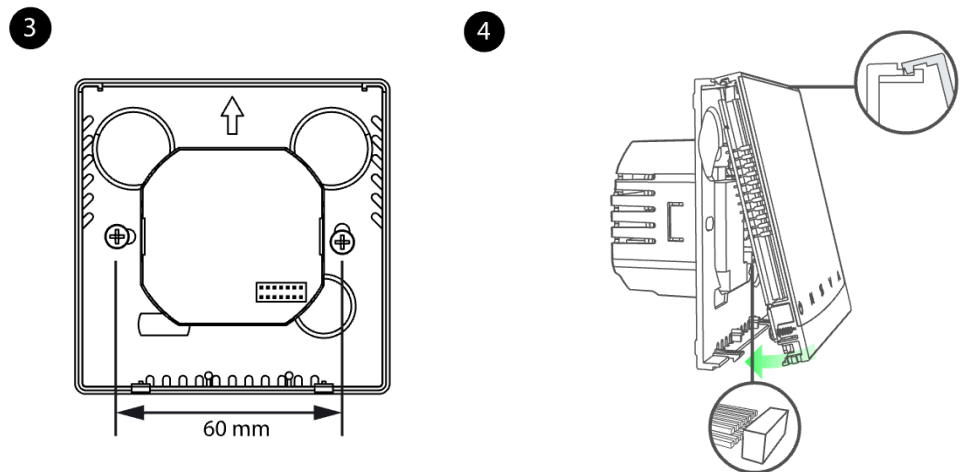
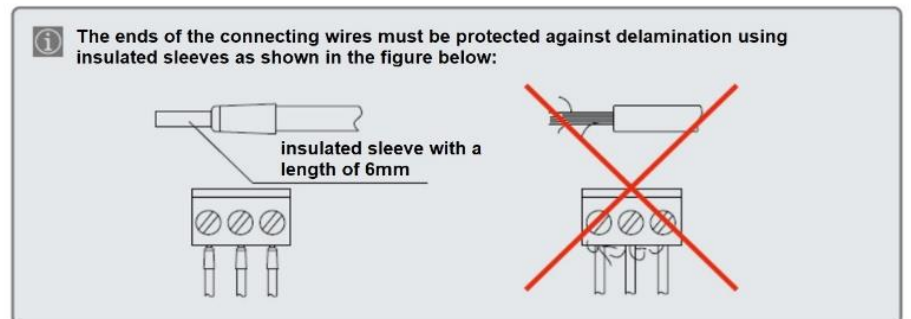
Before removing the front cover, disconnect the power supply. Wiring, protection and earthing must be installed in compliance with local regulations.

Installation



Remove the front cover by prying hooks with flat screwdriver at the bottom of the front panel

For the convenience of installation, the first step is to wire the volt-free wires, low-voltage wires then high-voltage wires. Check the wires are properly connected.



Surface mounting in a 60mm wall box. Make sure the back cover is in the appropriate position (according to the arrow on it)

Fit the front part of the casing to the top edge and make sure the pins are properly positioned. Push the front of the casing until you hear positive click.

Disposal



The device is considered electronic equipment for disposal in terms of the applicable local Directive and may not be disposed of as domestic garbage.

--Device disposal through channels provided for this purpose.

--Comply with all local & currently applicable laws & regulations

App operation

Step 1 Download the free app “Tuya” from the Apple store or the Google play store by searching “Tuya”

Step 2 Register your account

Click “register” after install APP

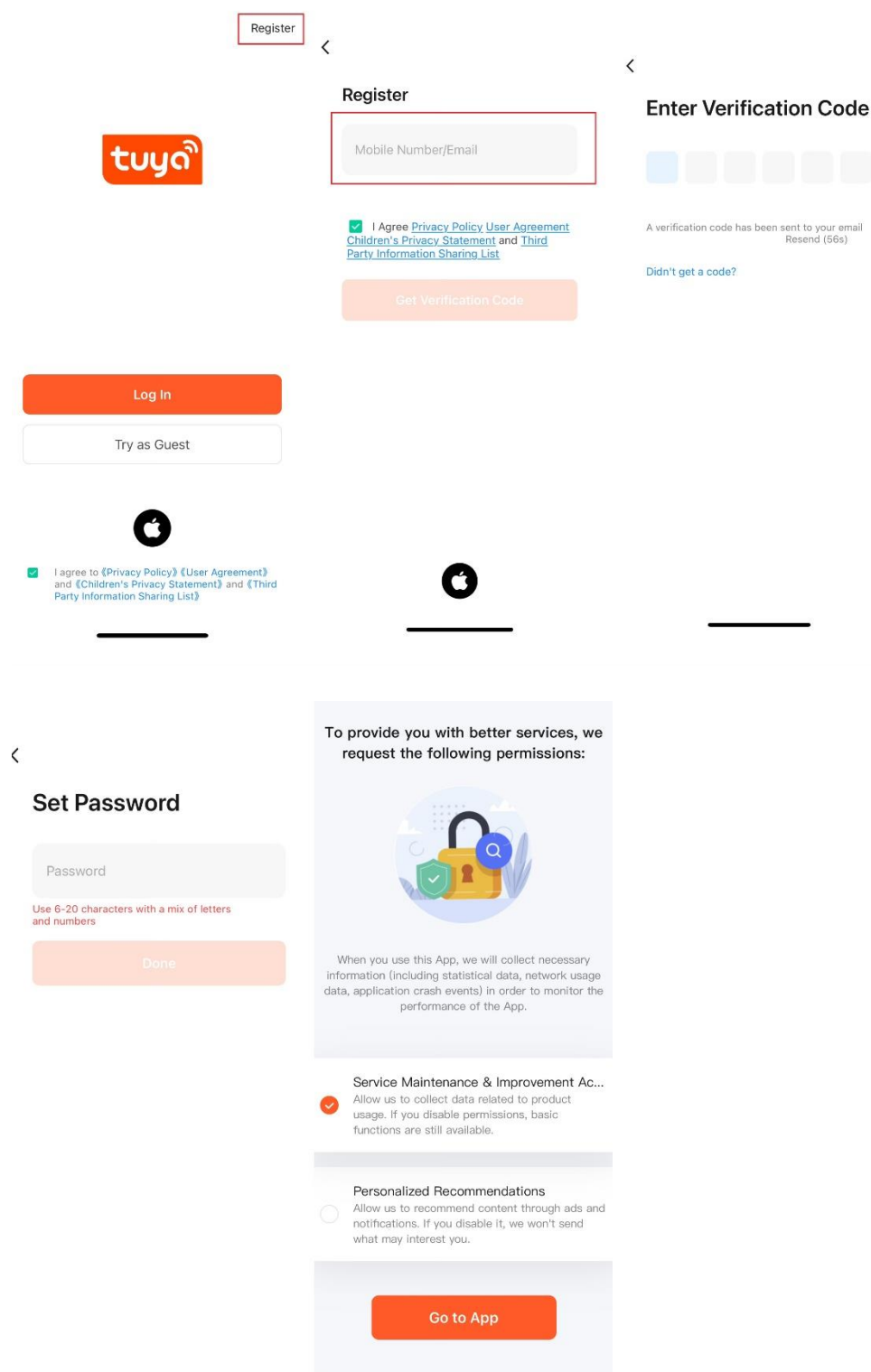
Please read the Privacy Policy and press Agree to proceed to the next step.

Registration account name uses your available Email Or mobile phone number, and please select Region, then click “Continue”

You will receive a 6-digit verification code from your email or SMS

Please set the account password, Password must contain 6-20 letters and numbers. click “Done”

You can select if you want the APP collect your data

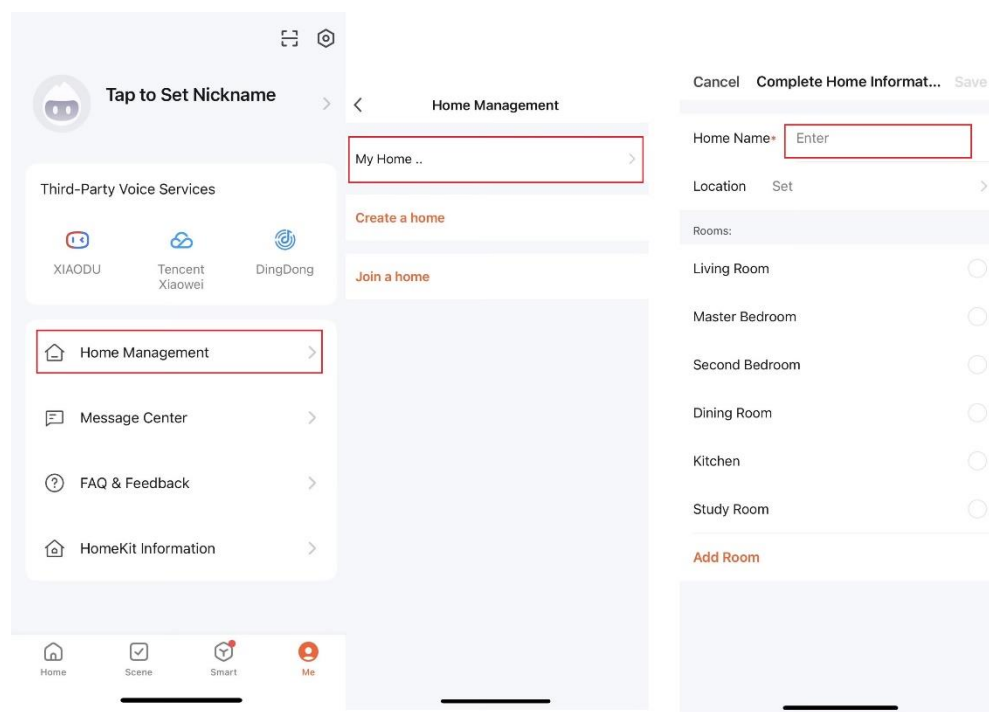


Step 3 Create Home information from “Me”

1. Enter Home Management

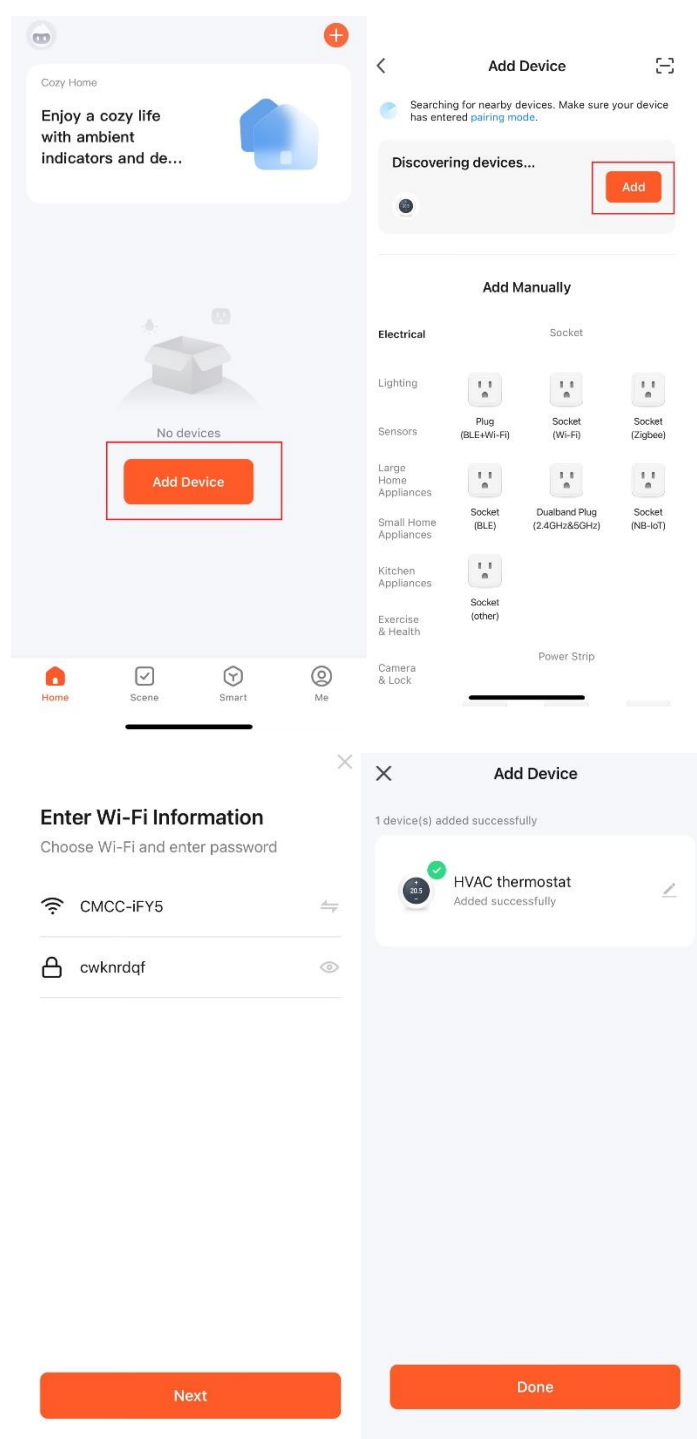
2. Press My Home....

3. Fill Home Name and select Location



Step 4 Connect thermostat with Phone

1. Press "Add Device" or "+" in the upper right corner of the app
2. Wait smart phone found thermostat
3. If phone doesn't find thermostat, please open thermostat and press the “OK” button on the thermostat when wifi icon blinking
4. Then add device to App



Connect to your Wi-Fi with 2.4G band only(Not for 5G)

The router needs to be 2.4G band, make sure the Bluetooth is turned on.

App Function:

1. You can power ON/OFF thermostat, set the desire temperature, change the fan speed and set the programmable schedule and entry the main setting menu on the main scree
2. Settings: you can press Settings button to enter the setting menu:
 - (1) Child lock
 - (2) Set temperature ceiling
 - (2) The lower limit of temperature