



This is a thermostat for your water heating system for controlling the water heating valve or boiler

Specification

1. Power supply: 220VAC ± 10%, 50/60 Hz
2. Temperature setting range: 5-35°C
3. Temperature accuracy: ± 0.5°C
4. Temperature control Accuracy: ± 1°C
5. Relay Rating: 5A
6. Remote Sensor Type: NTC10K, B=3950
7. Storage temperature: -20C~60C, Operating temperature: 0~50°C
8. Max Humidity: 5~95%
9. Power consumption: <2W
10. Grade of protection: IP20
11. Backlight: white
12. Installation type: Flush mounting, Hole pitch: 60mm
13. Dimension: H86XW86XD13 mm

User Guide:

ON/OFF: Press power button to switch ON and OFF thermostat.

Temperature Setting: Press "▼" to reduce temperature, press "▲" to raise temperature.

Backlight: Any key press will activate the backlight. Backlights will timeout 6 seconds after last key press.

Mode: Thermostat mode and Timer Mode.

Keypad Lockout: (ONLY available when Item 11 set to 1/2/3): Press "▼" and "▲" for 3 seconds to lock the buttons and press "▼" and "▲" for 3 seconds to unlock.

Parameter Settings:

Switch off the thermostat and press "⊕" and "▲" 5 seconds to enter parameter setting menu, press "OK" or "⊕" to change the item, and press "▼" "▲" to change the value, press power button "⊕" or wait 30S to exit and save all settings.

1	Sensor type	1: Internal sensor only (Default) 2: External air sensor only 3: External floor sensor only 4: Internal sensor+ floor sensor 5: External air sensor+ floor sensor
2	Fahrenheit/Celsius	F/C (Default=Celsius)
3	Freeze protection	0: Disable (Default) 1: Enable
4	N/A	N/A
5	Power up status	0: System Off(default) 1: System last state before power off 2: System On
6	Temperature Display	0 = show room temperature (Default) 1 = show setpoint
7	Display temp. adjustment	-4C~4C(Default=0)
8	Dead band	1-4C(Default=1)
9	Maximum setpoint	20-35C (Default value=35C)
10	Minimum setpoint	5-18C (Default value=5C)
11	Keypad lockout	0 All keys available(default) 1 All buttons locked out 2 System button Locked out 3 All buttons locked out except System
12	Floor sensor temperature limit	20-60C(68F-140F) only available when item 1=04/05(Default=28C)
13	N/A	N/A

Table Explanation:

The following settings are optional parameters to change how the thermostat works and what it displays. In many cases these need not be adjusted.

1-Sensor type: has the option of using its own built-in air sensor (default), a remote air sensor, floor sensor or a combination of these sensors for floor limit protection when both an air and floor sensor are used.

2-Fahrenheit/Celsius: has the option of displaying the temperature in Celsius (default) and Fahrenheit.

3-Freeze Protection: option to maintain frost protection even when the thermostat is off, as long as power is still maintained to the thermostat. This feature is enabled by Disable.

5-Power Up Status: can be set to come on or stay off when power is turned on to the thermostat. Default is system off.

7- Display Temperature adjustment: calibrate the room temperature by the range from -4C to 4C.

8-Dead Band: has the option to changing the switching differential between 1 and 4C. Default is 1C.

9-Maximum setpoint: option to adjust the maximum temperature set point, range is from 20C to 35C. Default is 35C.

10-Minimum setpoint: option to adjust the minimum temperature set point, range is from 5C to 18C. Default is 5C.

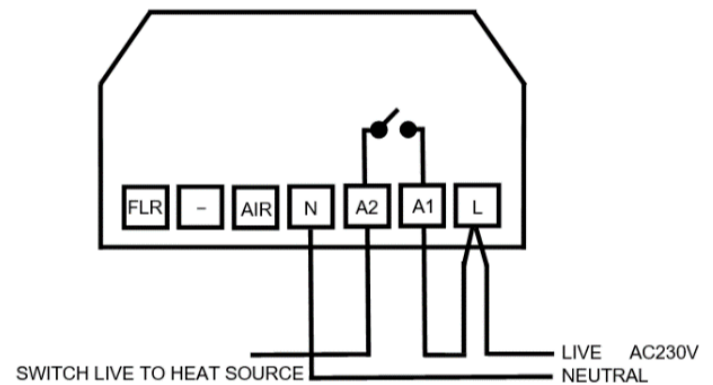
11- Keypad lock: can be set to 4 types for different people authorization, the symbol will show on the screen.

12- Floor sensor temperature limit: option to adjust the floor limit temperature used when a floor sensor is installed and connected. This range is from 20C to 60C. Default is 28C.

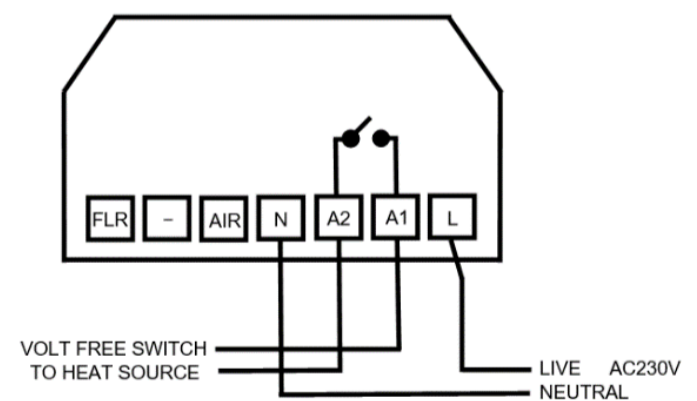
4&13 are not available for this model number, please DO NOT change it!

Wiring Diagram

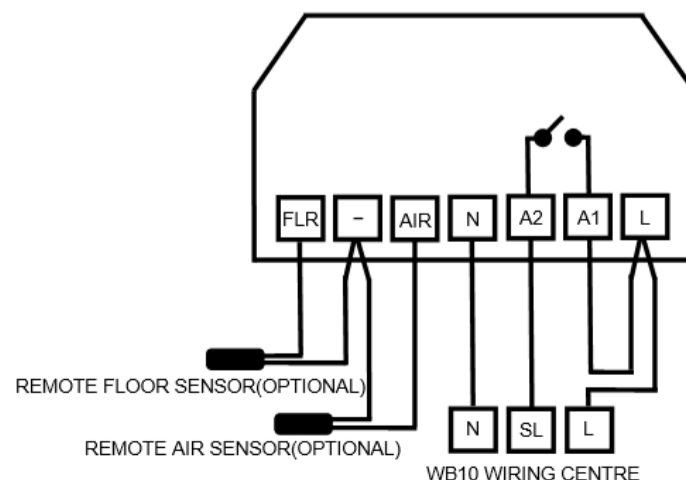
1, Basic wiring diagram with switch live for heat item.



2, Volt free switching for heat item

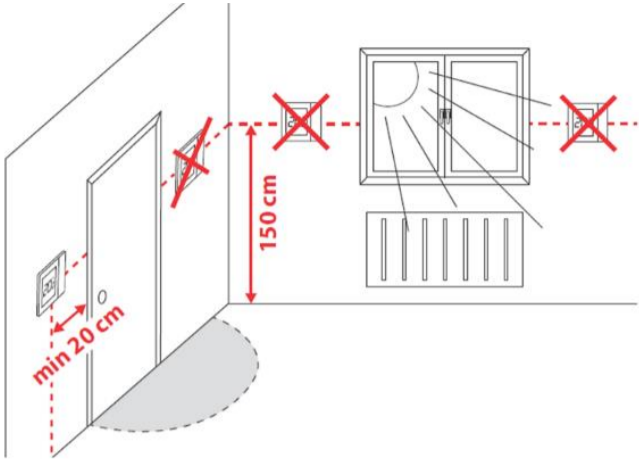


3, Connecting to WB10 Wiring Centre.



Mounting and Installation

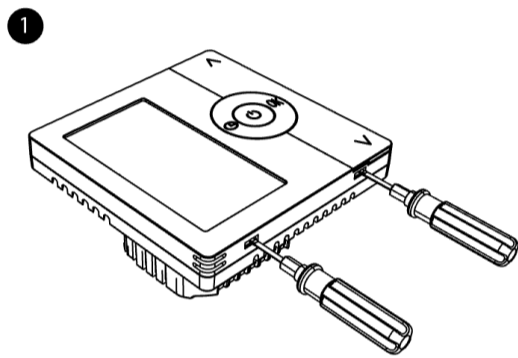
Mount the room thermostat on the conduit box. Do not mount on a wall in niches or bookshelves, behind curtains, above or near heat sources. Mount about 1.5M above the floor



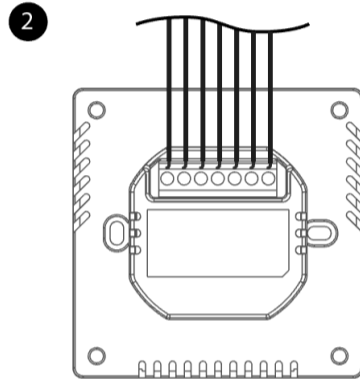
Devices must be mounted on clean, dry indoor place without direct airflow from a heating / cooling device, and not be exposed to dripping or splashing

Before removing the front cover, disconnect the power supply. Wiring, protection and earthing must be installed in compliance with local regulations.

Installation

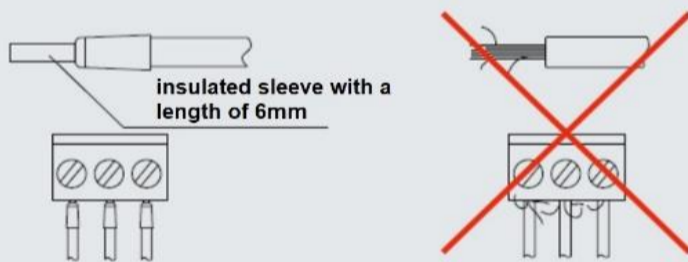


Remove the front cover by prying hooks with flat screwdriver at the bottom of the front panel

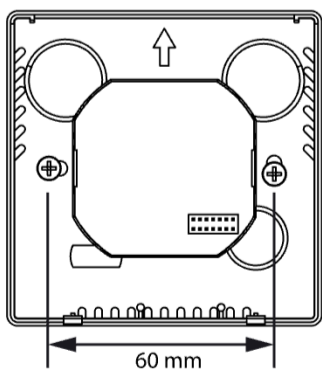


For the convenience of installation, the first step is to wire the volt-free wires, low-voltage wires then high-voltage wires. Check the wires are property connected.

i The ends of the connecting wires must be protected against delamination using insulated sleeves as shown in the figure below:

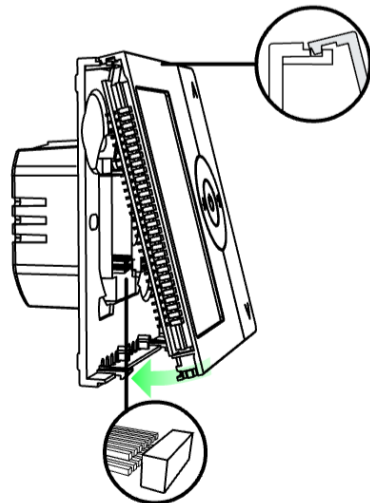


3



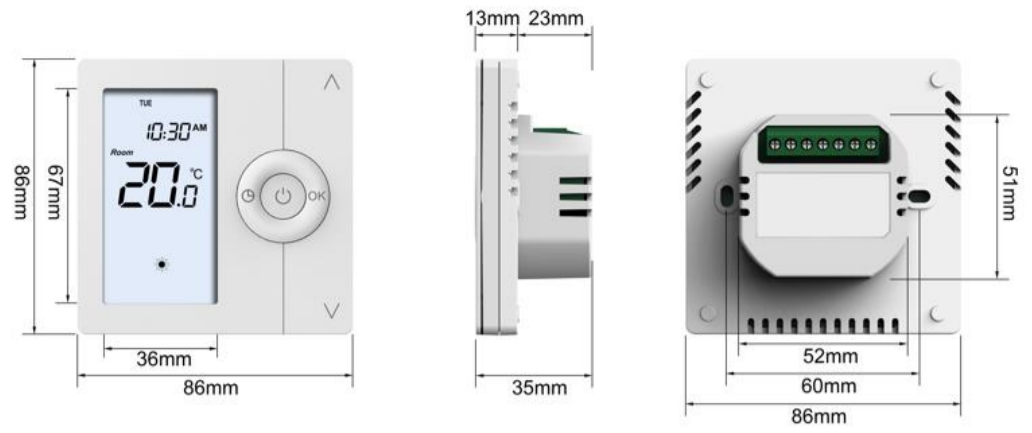
Surface mounting in a 60mm wall box. Make sure the back cover is in the appropriate position (according to the arrow on it)

4



Fit the front part of the casing to the top edge and make sure the pins are properly positioned. Push the front of the casing until you hear positive click.

Dimension:



Disposal



The device is considered electronic equipment for disposal in terms of the applicable local Directive and may not be disposed of as domestic garbage.

--Device disposal through channels provided for this purpose.

--Comply with all local & currently applicable laws & regulations